

cotter bolts similar to DIN 1434 suitable for clevis DIN 71752

cotter bolts similar to DIN 1434

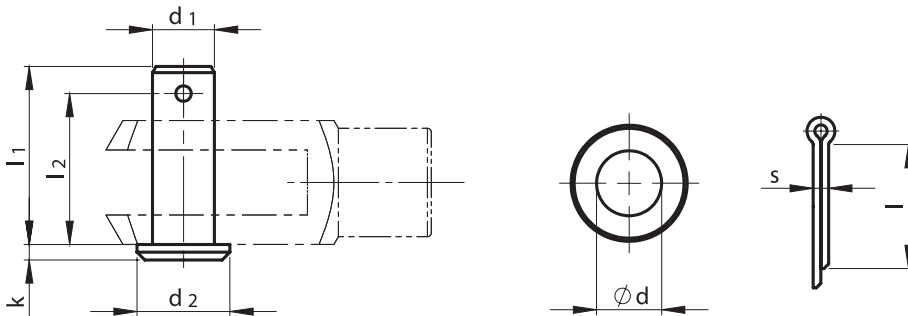
order example:

cotter bolts (SB) suitable for clevis DIN 71752 G 8 x 16: SB 8

order example:

cotter bolts (SB), washers (SCH) and cotter pins (SPL) suitable for clevis DIN 71752 G 8 x 16: SBSCHSPL 8

Delivered as loose, separate parts or with compatible washers and cotter pins.



materials

- free-cutting steel 11SMnPb30+C or at the choice of the manufacturer
- stainless steel 1.4305
- stainless steel 1.4571 / 1.4404

surface

- unplated
- zinc plated

type size	d_1 h11	d_2	k	l_2 +1	l_1 ca.	weight (SB only) kg per 1000 pcs.	washer DIN 433 d	cotter pin DIN 94 s x l	total weight approx. kg per 1000 pcs.
SB 4	4	6	1,0	10,0	12	1,3	4,3	1,0 x 10	1,5
SB 5	5	8	1,5	12,0	15	2,8	5,3	1,6 x 10	3,2
SB 6	6	9	1,5	15,3	18	4,5	6,4	1,6 x 10	5,3
SB 8	8	12	2,0	19,7	23	10,4	8,4	2,0 x 16	12,1
SB 10	10	14	2,0	23,5	27	19,1	10,5	3,2 x 20	22,1
SB 12	12	17	3,0	29,5	35	34,0	13,0	4,0 x 25	38,8
SB 14	14	19	3,0	32,5	40	52,0	15,0	4,0 x 25	59,0
SB 16	16	21	3,0	38,0	45	75,1	17,0	4,0 x 25	84,1
SB 20	20	26	4,0	47,0	54	140,5	21,0	4,0 x 25	153,8
SB 25	25	32	5,0	59,0	67	278,5	25,0	6,3 x 45	320,1
SB 30	30	38	6,0	68,2	77	451,2	30,0	6,3 x 63	512,4
SB 35/36	35	42	6,0	76,5	87	662,5	-	8,0 x 63	680,8

optional features

- further special options available on request

