



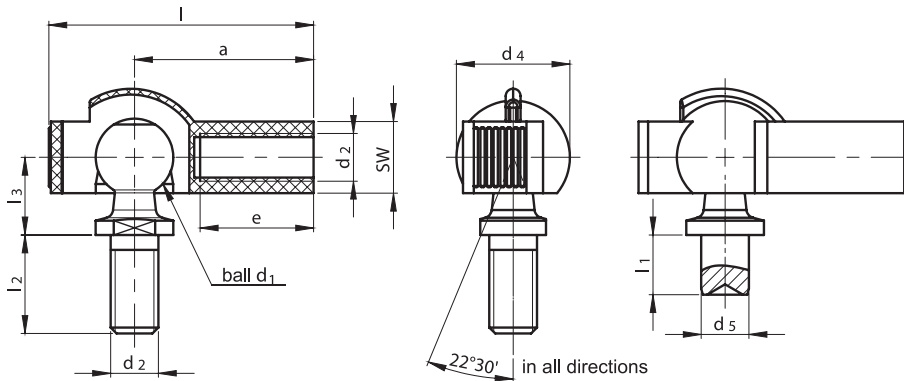
angle joints DIN 71802 form BS / CS with plastic version ball cups

DIN 71802 form BS with rivet pin and safety fastening

order example: angle joints DIN 71802 BS 10 x 4,5 with plastic ball cups Mat. PA 6.6

DIN 71802 form CS with threaded pin and safety fastening

order example: angle joints DIN 71802 CS 13 - M 8 with plastic ball cups Mat. PA 6.6



materials

ball cups

- PA 6.6

ball pins

- free-cutting steel 11SMnPb30+C or 46SPb20+C
- stainless steel 1.4305
- stainless steel 1.4571
- (dimensions of ball pins acc. DIN 71803, ball not hardened)

surface ball pins

- unplated
- zinc plated

operation range

- -40° to 90°C,
short-time duty up to 120°C

ball d ₁	pin length l ₁ ±0,2	thread d ₂	a ±0,5	d ₄ ±0,3	d ₅ h11	e min.	l ±0,5	l ₂ ±0,3	l ₃ ±0,3	SW ball cup	weight approx. kg per 1000 pcs.	
											form CS	form BS
6	3,5	M 4	17	10,0	4	10	24,5	8,0	8,5	7	-	3,00
8	4,0	M 5	22	12,5	5	12	32,0	10,2	9,0	8	6,05	5,35
	7,5											5,85
10	4,5	M 6	25	15,0	6	14	36,5	12,5	11,0	10	11,90	10,50
	8,0											11,20
13	5,0	M 8	30	19,0	8	17	44,5	16,5	13,0	12	24,40	20,90
	10,0											22,70

Angle joints with hexagon nut DIN 934 loose, or mounted if requested.

optional features

- left-hand threaded ball cups; indication by LH; e.g. CS 8 - M 5 LH
- further special options available on request

